

# Dock Seals



**SERCO**

Serco Dock Seals keep the elements out for a safe and productive loading dock.

**SERCO**<sup>®</sup>

# SERCO STEEL™: THE NEW STANDARD.



## Conventional Wood Framing

Solid mass (1 1/2" thick) wood frame doesn't yield as seal is compressed. Building damage may occur.

Susceptible to rotting, splitting, cracking and warping.

Staples and nails rust and, over time, create weak spots in the wood.

### BUILDING WALL PRESSURE

### DURABILITY

### METHOD OF COVER ATTACHMENT



Solid mass is replaced with compressible foam on steel frame. Less chance of building damage.

No rotting, splitting, cracking or warping.

Plated TEK screws with load spreading washers in steel provide a stronger, more durable hold.

Serco Steel™ Galvanized Steel Framing delivers low cost of ownership through durability and value. Serco backs all Serco Steel framing with a 5-year limited warranty!

## SERCO SEALS: THE SMART SOLUTION.

**SERCO SEALS ARE A SMART INVESTMENT FOR ANY DOCK.** They provide a higher level of employee comfort, save on energy costs by maintaining temperature and environmental control, improve safety by decreasing the amount of slips, falls and equipment skids, and protect both the loading dock and the product being moved from snow, ice, rain, dirt and debris.



### SERCO S-600 STATIONARY HEAD PAD DOCK SEAL PROVIDES THE TIGHTEST POSSIBLE SEAL.

**THE SERCO S-600 STATIONARY HEAD PAD DOCK SEAL** is typically ideal for smaller doors (9' x 9' or less). The S-600 seals automatically as the trailer is backed against the foam pads.

#### FEATURES

- Roll-formed galvanized steel framing warranted for 5 years against rotting, splitting or cracking.
- Endurance-tested foam core is continuously bonded to frame surface with flexible, non-flammable adhesive.
- A wide selection of durable coated fabrics provides maximum durability.



## SERCO S-700 HEAD CURTAIN DOCK SEAL: The Ideal Solution for Taller Doorways.

**THE SERCO S-700 HEAD CURTAIN DOCK SEAL** will accommodate a variety of trailer heights and is designed for doors that are 9' tall or over.

### FEATURES

- Roll-formed galvanized steel framing warranted for 5 years against rotting, splitting or cracking.
- Endurance-tested foam core is continuously bonded to frame surface with flexible, non-flammable adhesive.
- A wide selection of durable coated fabrics provides maximum durability.
- Adjustable head curtain option.



## SERCO S-800 ADJUSTABLE HEAD PAD DOCK SEAL: A Tight Seal for a Wide Variety of Trailer Heights.

**THE S-800 ADJUSTABLE HEAD PAD DOCK SEAL** can be manually positioned within a 48" range and is an excellent choice for sealing a full range of trailer heights.

### FEATURES

- Patented, adjustable head pad system operates utilizing an easy-release lever.
- Adjustable spring-tension system provides for adjustment of counterbalance and horizontal tilt for smooth, jam-free operation.
- 18" high foam head pad is mounted on a steel pan, which travels in slide tracks.
- Roll-formed galvanized steel framing (5-year warranty).
- High-resilient foam core protected by three layers of durable coated fabric.
- A wide selection of durable coated fabrics provide maximum durability.

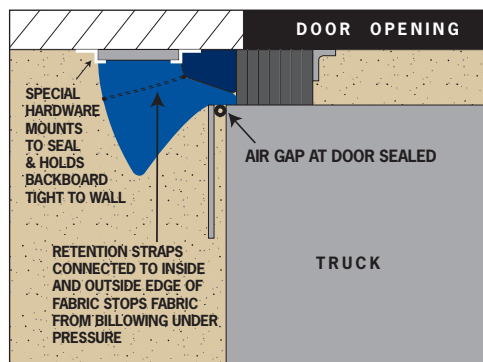


## SERCO S-1000 ULTRA SEAL® DOCK SEAL: A Patented, Proven Design Provides Unique Protection for Your Dock.

**THE SERCO S-1000 ULTRA SEAL'S** patented design provides the insulating benefits of a dock seal and full trailer access like a dock shelter. The one-piece, diagonal-cut foam construction, with internal retention straps, enhances foam memory and retention while looking good on your dock for years. Ultra Seal seals rear hinge gap on trailers without obstructing doorway.

### FEATURES

- Stationary header ideal for smaller doors.
- Dual guide stripes for 96" and 102" wide trailers.
- Wear pleats on head corners and reinforced bottom corners.



## SERCO S-2000 ULTRA SEAL® DOCK SEAL: The Ultimate Energy Seal for the Climate-Controlled Loading Dock.

### THE SERCO S-2000 ULTRA SEAL

utilizes the same versatile design with an adjustable head curtain that enhances the seal's effectiveness by accommodating a variety of trailer heights.

### FEATURES

- Adjustable head curtain for varying trailer heights.
- Inflatable header option provides tight seal without impeding trailer access at the top.



# SERCO S-2500G GUARDIAN DOCK SEAL DRAMATICALLY REDUCES PRESSURE AND ABRASION ON YOUR DOCK SEAL.

**DESIGNED TO MAKE YOUR DOCK SEAL LAST AT LEAST TWICE AS LONG**, the Guardian features a two-piece head pad system with a mobile front pad. This durable head pad slides up to 6" with the trailer as it moves for load weight changes, air ride suspensions or yard spotting tractors.

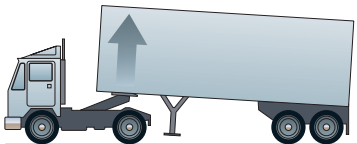
- Two-piece head pad system with sliding front pad increases wearability. Wear pleats move up as trailer is lowered to park position.
- Strong urethane-coated base material provides good sliding surface for mobility of front wear surfaces.
- TEK screws provide firm attachment of sliding wear pleat system to side pads.

- Roll-formed galvanized steel framing reduces pressure on building wall.

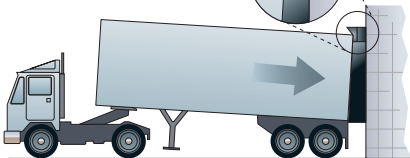
- Stationary position.

## How Guardian Works

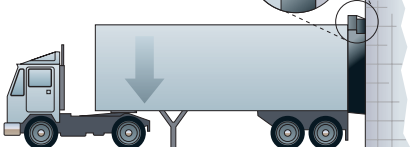
**#1:** Yard jockey raises trailer up for maneuvering and positioning at the dock.



**#2:** Yard jockey backs trailer into dock causing significant head pad compression.



**#3:** Guardian's two-piece floating head pad and wear pleat system accommodates movement as trailer is lowered.



Guardian is the ideal solution for air-ride suspension trailers, which can move up and down as much as 8" during loading/unloading.



When a stationary head pad and wear pleat system is utilized, after time, movement of the trailer causes damage and can lead to detachment resulting in an unprotected wall surface and loss of seal.



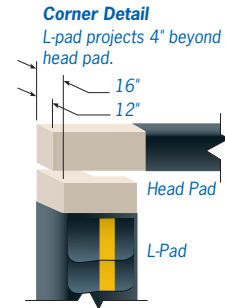
4" exposure wear pleating moves with the trailer, extending the life of the fabric in key wear areas.

# KEEP THE ELEMENTS OUT FOR A SAFE AND PRODUCTIVE DOCK.



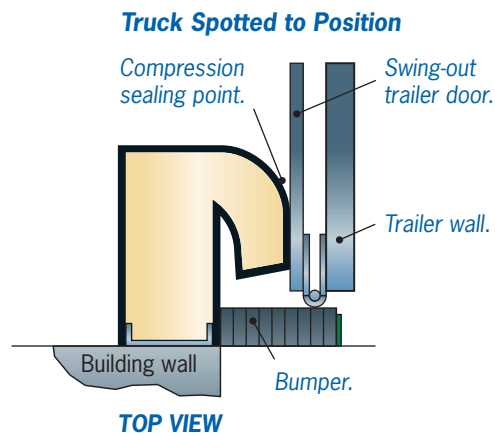
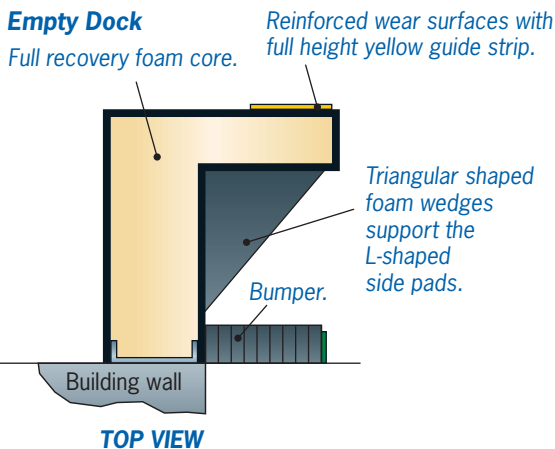
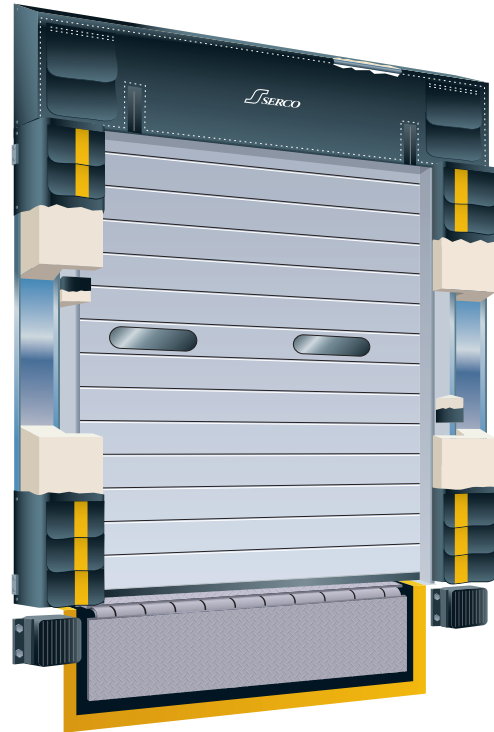
## SERCO S-3000L L-PAD DOCK SEAL

THE SERCO S-3000L L-PAD has a unique design that provides the insulating benefits of a dock seal plus the full-access of a shelter. The side pads are foam-filled and uniquely designed to provide the flexing action of a shelter and the fit of a seal. The high-density foam core provides full recovery to the stored position.



## SERCO S-3000HL L-PAD DOCK SEAL

THE SERCO S-3000HL L-PAD has a unique design that provides the insulating benefits of a dock seal plus the full access of a shelter. The side pads are foam-filled and uniquely designed to provide the flexing action of a shelter and the fit of a seal. Hood curtain splits offer load relief and higher clearance. Fiberglass stays add stiffness to hood to prevent sagging.



## SERCO S-900DD DRYDOCK® SEAL SYSTEM.

**THE SERCO DRYDOCK** keeps rain and external moisture out of the loading/unloading area with an ingenious “wiper” pad that engages the trailer at the door — ingenious because it works so well and yet is so simple, it requires hardly any maintenance at all.



### FEATURES

- Automatic position, no manual activation necessary.
- Heavy-duty galvanized steel channel head frame.
- Translucent fiberglass raked head frame for fast water drainage.
- High-resilient foam core protected by three layers of durable coated fabric.
- Weighted side covers provide extra protection for the dock area.
- Rugged support bracket for mounting over existing equipment.

### A V A I L A B L E F A B R I C S



#### **XL-100**

Heavy-duty polyester-based fabric with a polymer blend coating on both sides resulting in the highest levels of puncture and tear resistance.

#### **40oz. Hypalon®**

Nylon woven base with a Hypalon coating on both sides.

#### **40oz. Vinyl**

Woven polyester-based fabric with a vinyl coating on both sides.

#### **22oz. Vinyl**

Woven polyester-based fabric with a vinyl coating on both sides.

*Note: Hypalon® is a registered trademark of E. I. DuPont de Nemours & Co.*

*Note: Not all fabrics are available in all colors. Please check with your local Serco distributor to verify color availability in your choice of fabric. Due to printing variances, actual fabric colors may differ.*

1612 Hutton Drive, Suite 140  
Carrollton, TX 75006

Tel: 1.800.933.4834  
Fax: 972.389.4769

Email: [sales@sercocompany.com](mailto:sales@sercocompany.com)  
[www.sercocompany.com](http://www.sercocompany.com)



A continuing research program is in effect at Serco. We reserve the right to incorporate product improvement at any time without prior notice.