

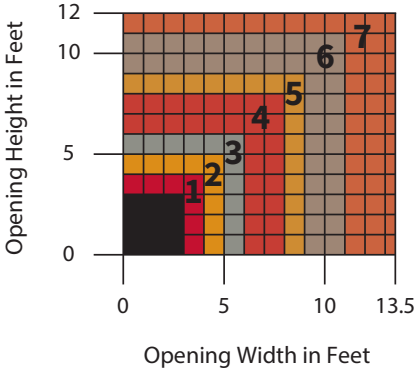
FIRE PROTECTIVE CLOSURE

# FIREMISER™ INSULATED ROLLING FIRE DOOR

Model ERD20

## MEASURE THE WIDTH AND HEIGHT OF THE OPENING

### DOOR SIZE AND AREA



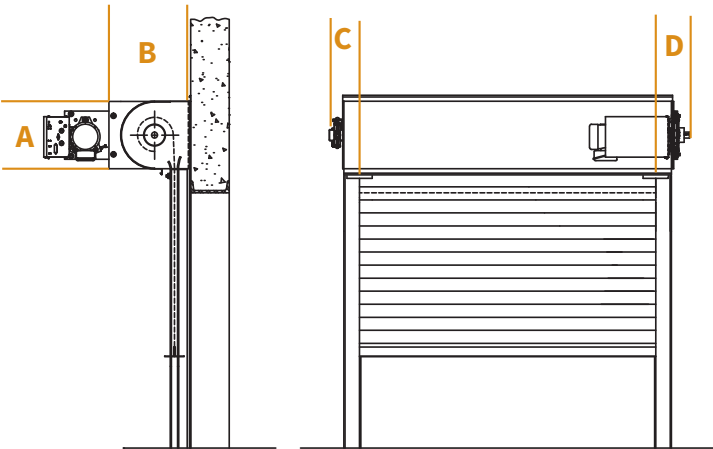
### COMPONENT DIMENSIONS

Reference the zone number to view component dimensions for motorized doors.

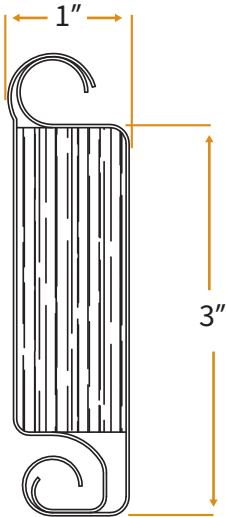
1	14	16	6	7.5
2	15	17	6	7.5
3	16	18	6	7.5
4	17	19	6	7.5
5	18	20	6	7.5
6	19	21	6	7.5
7	20	22	6	7.5

Dimensions in Inches

Zone A B C D



### INSULATED SLAT

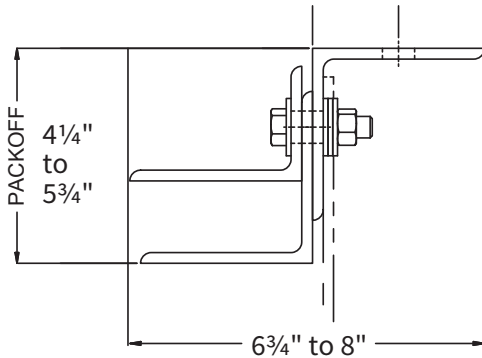


The dimensions featured on this sheet are provided as a guide. Please visit our website at [www.cornelliron.com/drawings](http://www.cornelliron.com/drawings) to generate drawings on demand with exact dimensions.

### GUIDE CONSTRUCTION OPTIONS

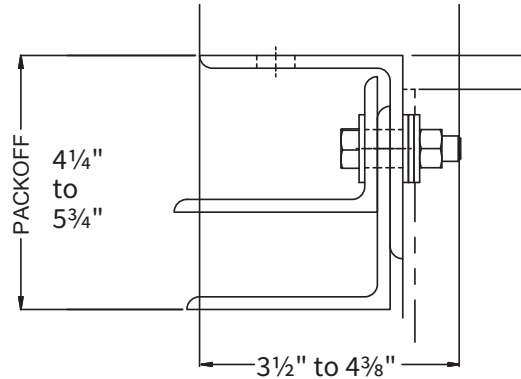
#### FACE OF WALL Z

Typically used with masonry wall construction, guides are mounted to the interior or exterior side of the wall.



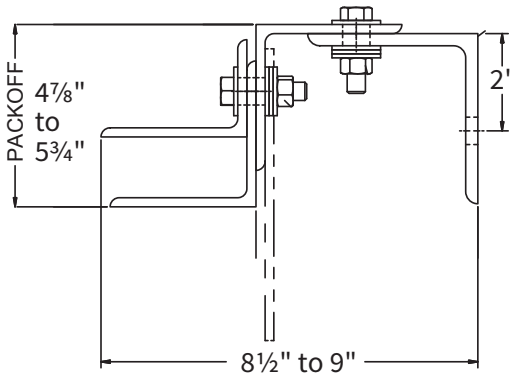
#### FACE OF WALL E

Typically used with steel jambs, guides are mounted to the interior or exterior side of the wall.



#### BETWEEN JAMBS

Used when side clearance is minimal, guides are mounted to the inside of the jamb.



R Value of 5.3

U Value of .189

Calculated using the ASHRAE Handbook of Fundamentals

The dimensions featured on this sheet are provided as a guide. Please visit our website at [www.cornelliron.com/drawings](http://www.cornelliron.com/drawings) to generate drawings on demand with exact dimensions.

### CUSTOM-DESIGNED SOLUTIONS

Our experienced Architectural Design Support Team can customize our products to fit your specific application. Call 800.233.8366 ext. 4551 • [ads@cornelliron.com](mailto:ads@cornelliron.com)